



# MARCH PUMPS

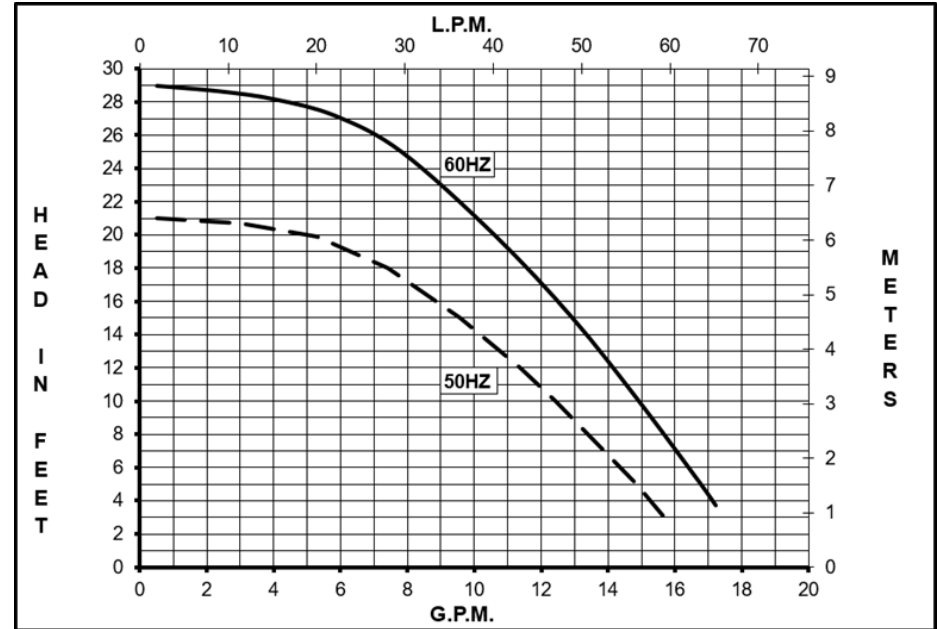
1819 PICKWICK AVE., GLENVIEW, IL 60026-1306, U.S.A  
 PHONE: (847) 729-5300 - FAX: (847) 729-7062  
 WWW.MARCHPUMP.COM

**DESCRIPTION:** Series 5 are centrifugal magnetic drive pumps, eliminating the need for a shaft seal. All are serviceable with a screwdriver.

**OPERATION:** Pumps are not self-priming, lack a suction lift, and thus require a **flooded suction**. Pumps **cannot be run dry** because the impeller requires the liquid being pumped for lubrication. For liquids with a specific gravity greater than water, have a higher viscosity, or for elevated temperatures, a trimmed impeller may be necessary. For application assistance, contact March Pump.

**ELECTRICAL:** Models are dual voltage 115 Volt / 230 Volt and have a conduit box. Models have a U.L. listed motor, which is rated for continuous duty.

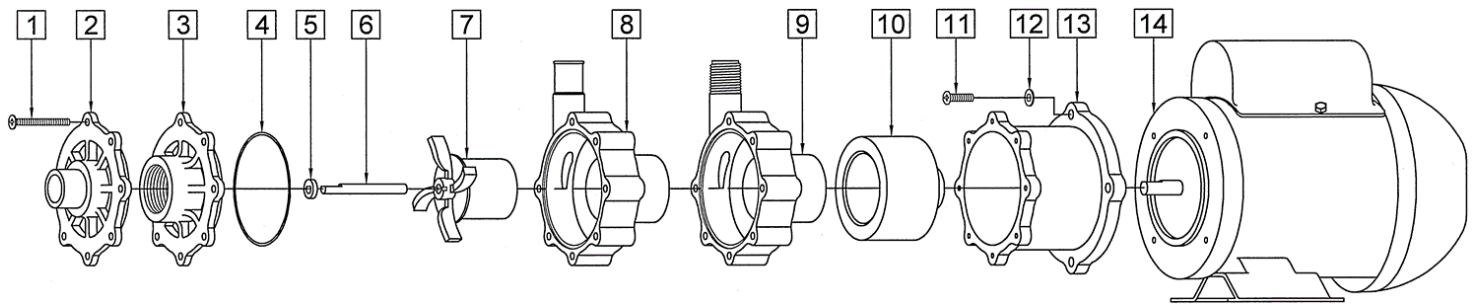
## TE-5KC-MD With Weg Motor



Specifications		TE-5KC-MD
Product	1Ph	0150-0284-0100
Inlet-Outlet		1" FPT-1/2" MPT
Max Internal Pressure		75PSI (517kPa)
Max Liquid Temperature		200F (93C)

	60Hz												50Hz										
	Max Flow		Max Head			Electrical							Max Flow		Max Head			Electrical					
Model	GPM	LPM	FT	PSI	M	Ph	V	A	HP	kW	RPM	GPM	LPM	Feet	PSI	M	Ph	V	A	HP	kW	RPM	
TE-5KC-MD	18	68.1	29	12.6	8.85	1	115/230	2.6/1.3	1/5	0.149	3450	15.9	60.5	20.7	8.96	6.3	1	110/220	2.4/1.2	0.16	0.119	2850	

All specifications & data are based on pumping water & are intended as a guideline only. Specifications may vary with different motors.



**NOTE:** When attaching the Drive Magnet to the motor shaft, position the face of the Drive Magnet 3/32 inch below the face of the Motor Bracket.

**TE-5KC-MD**

Item	Part Number	QTY REQ	Description
1	0150-0021-1000	7	#8-32 x 1-3/4 LG Screw (Stainless)
3	0150-0282-1000	1	Cover with 1" FPT Inlet (Carbon Filled Kynar)
4	0750-0986-1000	1	0.078 CS x 2.834 ID O-Ring (Viton)
5	0130-0028-1000	1	Thrust Washer (Ceramic)
6	0130-0024-1000	1	Shaft (Ceramic)
7	0150-0283-0200	1	Impeller (Carbon Filled Kynar)
9	0150-0281-0100	1	Rear Housing with 1/2" MPT Outlet and Ceramic Thrust Washer (Carbon Filled Kynar/Ceramic)
10	0150-0176-0300	1	Drive Magnet
11	0150-0050-1000	4	#10-32 x 3/4 LG. Screw (Stainless)
12	0150-0051-1000	4	#10 Washer (Stainless)
13	0150-0070-0100	1	Motor Bracket (Plastic)
14	0150-0213-1000	1	Motor (Weg), TEFC, 115/230V, 50/60Hz

NOTE: Contact Factory for other materials and/or parts not listed.  
Special voltage motors are available upon special order.

**Materials in contact with the liquid:** Carbon Filled Kynar, Viton, Ceramic.

**LIMITED WARRANTY:** March pumps are guaranteed only against defects in workmanship or materials for a period of one year from date of manufacture pumping water. For the complete warranty and to register online go to [www.marchpump.com/warranty-registration](http://www.marchpump.com/warranty-registration)

For the General Installation Manual, see this link <https://www.marchpump.com/wp-content/uploads/2019/07/march-pump-general-installation-guide-0750-040.pdf>

Or scan QR Code

