



# MARCH PUMPS

1819 PICKWICK AVE., GLENVIEW, IL 60026-1306, U.S.A  
 PHONE: (847) 729-5300 - FAX: (847) 729-7062  
 WWW.MARCHPUMP.COM

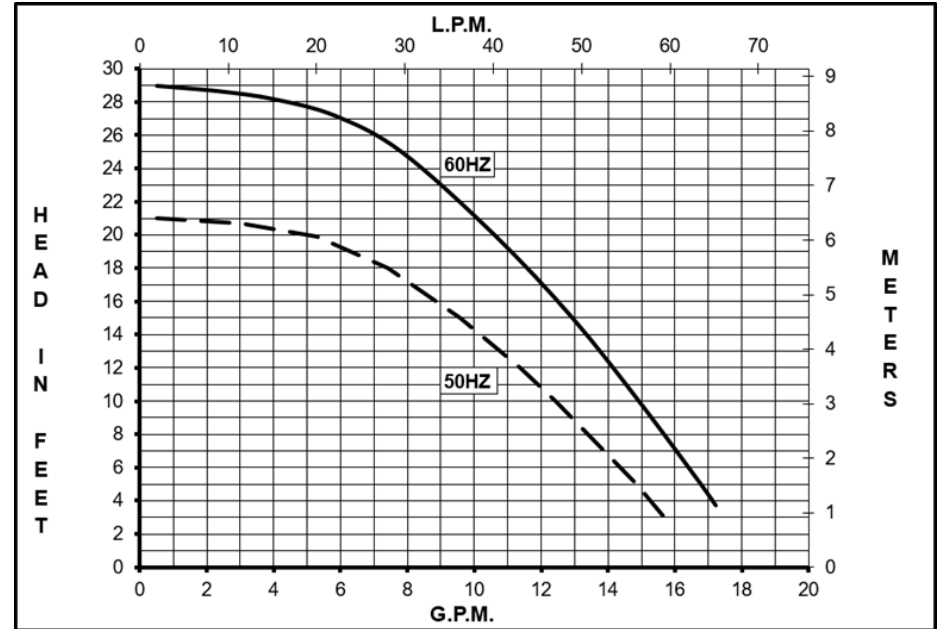
## TE-5M-MD and TE-5MNS-MD Marked with CE

**DESCRIPTION:** Series 5 are centrifugal magnetic drive pumps, eliminating the need for a shaft seal. All are serviceable with a screwdriver.

**OPERATION:** Pumps are not self-priming, lack a suction lift, and thus require a flooded suction. Pumps cannot be run dry because the impeller requires the liquid being pumped for lubrication. For liquids with a specific gravity greater than water, have a higher viscosity, or for elevated temperatures, a trimmed impeller may be necessary. For application assistance, contact March Pump.

**ELECTRICAL:** Models are dual voltage 115/230V for 60hz and 110/220V 50hz. The standard motor has a conduit box. A motor with 115V 72 inch cord or 230V 72 inch cord, are options. The motor is U.L. listed motor and rated for continuous duty. The pump is rated IP44. The pump is Ignition Protected per SAE J1171 and ISO 8846.

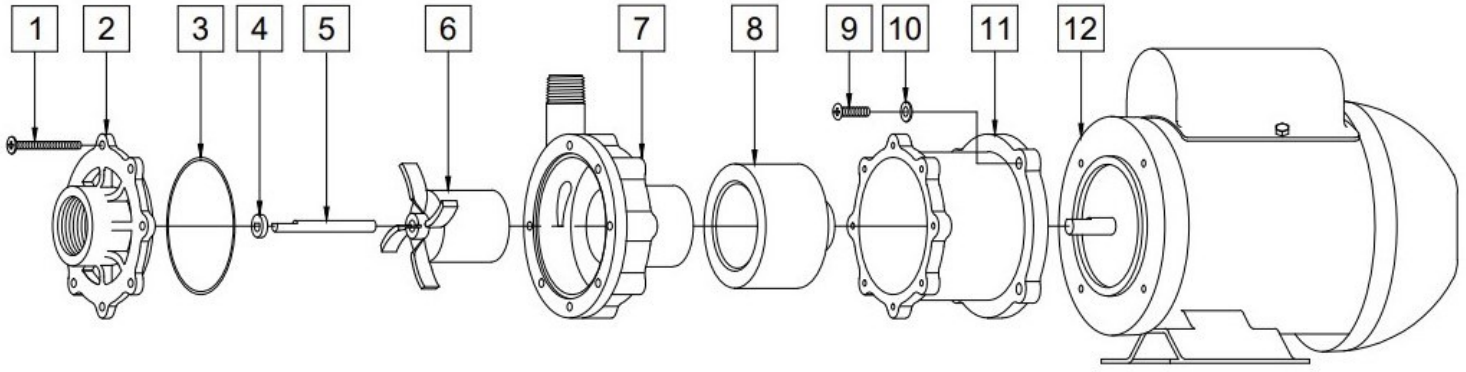
**CE:** Pumps marked with CE have been modified to be listed as CE. Contact March for more information.



Specifications		TE-5M-MD Marked with CE	TE-5MNS-MD Marked with CE
Product	1Ph	0150-0265-0100	0150-0268-0100
With Conduit Box			
With 115V Cord	1 Ph	0150-0266-0100	0150-0269-0100
With 230V Cord	1 Ph	0150-0267-0100	0150-0270-0100
Inlet-Outlet		1" FPT-1/2" MPT	1" FPT-1/2" MPT
Max Internal Pressure		50PSI (344 kPa)	50PSI (344 kPa)
Max Liquid Temperature		190F (87C)	190F (87C)

Model	60Hz												50Hz											
	Max Flow		Max Head			Electrical							Max Flow		Max Head			Electrical						
	GPM	LPM	FT	PSI	M	Ph	V	A	HP	kW	RPM	GPM	LPM	Feet	PSI	M	Ph	V	A	HP	kW	RPM		
TE-5M-MD	18	68.1	29	12.6	8.85	1	115/230	2.6/1.3	1/5	0.149	3450	15.9	60.5	20.7	8.96	6.3	1	110/220	2.4/1.2	0.16	0.119	2850		
TE-5MNS-MD	18	68.1	29	12.6	8.85	1	115/230	2.6/1.3	1/5	0.149	3450	15.9	60.5	20.7	8.96	6.3	1	110/220	2.4/1.2	0.16	0.119	2850		

All specifications & data are based on pumping water & are intended as a guideline only. Specifications may vary with different motors.



**NOTE:** When attaching the Drive Magnet to the motor shaft, position the face of the Drive Magnet 3/32 inch below the face of the Motor Bracket.

**TE-5M-MD Marked with CE**

**TE-5MNS-MD Marked with CE**

Item	Part Number	QTY REQ	Description	Item	Part Number	QTY REQ	Description
1	0150-0021-1000	7	#8-32 x 1-3/4 LG Screw (Stainless)	1	0150-0021-1000	7	#8-32 x 1-3/4 LG Screw (Stainless)
2	0150-248-1000	1	Cover with 1" FPT Inlet (Noryl)	2	0150-248-1000	1	Cover with 1" FPT Inlet (Noryl)
3	0750-0987-1000	1	0.078 CS x 2.834 ID O-Ring (Buna N)	3	0750-0987-1000	1	0.078 CS x 2.834 ID O-Ring (Buna N)
4	0130-0028-1000	1	Thrust Washer (Ceramic)	4	0130-0028-1000	1	Thrust Washer (Ceramic)
5	0130-0024-1000	1	Shaft (Ceramic)	5	0130-0024-1000	1	Shaft (Ceramic)
6	0150-0030-0700	1	Impeller with Carbon Bushing( Polypropylene, Carbon, Ceramic Magnet )	6	0150-0030-0700	1	Impeller with Carbon Bushing( Polypropylene, Carbon, Ceramic Magnet )
7	0150-0031-0100	1	Rear Housing with 1/2" MPT Outlet and Ceramic Thrust Washer (Polypropylene/Ceramic)	7	0150-0110-0010	1	Rear Housing with 1/2" MPT Outlet (316 Stainless Steel)
8	0150-0176-0300	1	Drive Magnet	8	0150-0176-0300	1	Drive Magnet
9	0150-0050-1000	4	#10-32 x 3/4 LG. Screw (Stainless)	9	0150-0050-1000	4	#10-32 x 3/4 LG. Screw (Stainless)
10	0150-0051-1000	4	#10 Washer (Stainless)	10	0150-0051-1000	4	#10 Washer (Stainless)
11	0150-0070-0100	1	Motor Bracket (Plastic)	11	0150-0070-0100	1	Motor Bracket (Plastic)
12A	0150-0213-1000	1	Motor (Weg), TEFC, 115/230V, 50/60Hz	12A	0150-0213-1000	1	Motor (Weg), TEFC, 115/230V, 50/60Hz
12B	0150-0272-0100	1	Motor (Weg), TEFC, 115V 72 Inch Cord, Marked with CE	12B	0150-0272-0100	1	Motor (Weg), TEFC, 115V 72 Inch Cord, Marked with CE
12C	0150-0273-0100	1	Motor (Weg), TEFC, 230V 72 Inch Cord, Marked with CE	12C	0150-0273-0100	1	Motor (Weg), TEFC, 230V 72 Inch Cord, Marked with CE

NOTE: Contact Factory for other materials and/or parts not listed.

Special voltage motors are available upon special order.

**Materials in contact with the liquid: TE-5M-MD :** Polypropylene, Noryl, Buna N, Carbon, Ceramic, Ceramic Magnet.

**TE-5MNS-MD:** Polypropylene, Noryl, Buna N, 316 Stainless Steel, Carbon, Ceramic, Ceramic Magnet.

**LIMITED WARRANTY:** March pumps are guaranteed only against defects in workmanship or materials for a period of one year from date of manufacture pumping water. For the complete warranty and to register online go to [www.marchpump.com/warranty-registration](http://www.marchpump.com/warranty-registration)

For the General Installation Manual, see this link <https://www.marchpump.com/wp-content/uploads/2019/07/march-pump-general-installation-guide-0750-040.pdf>

Or scan QR Code

